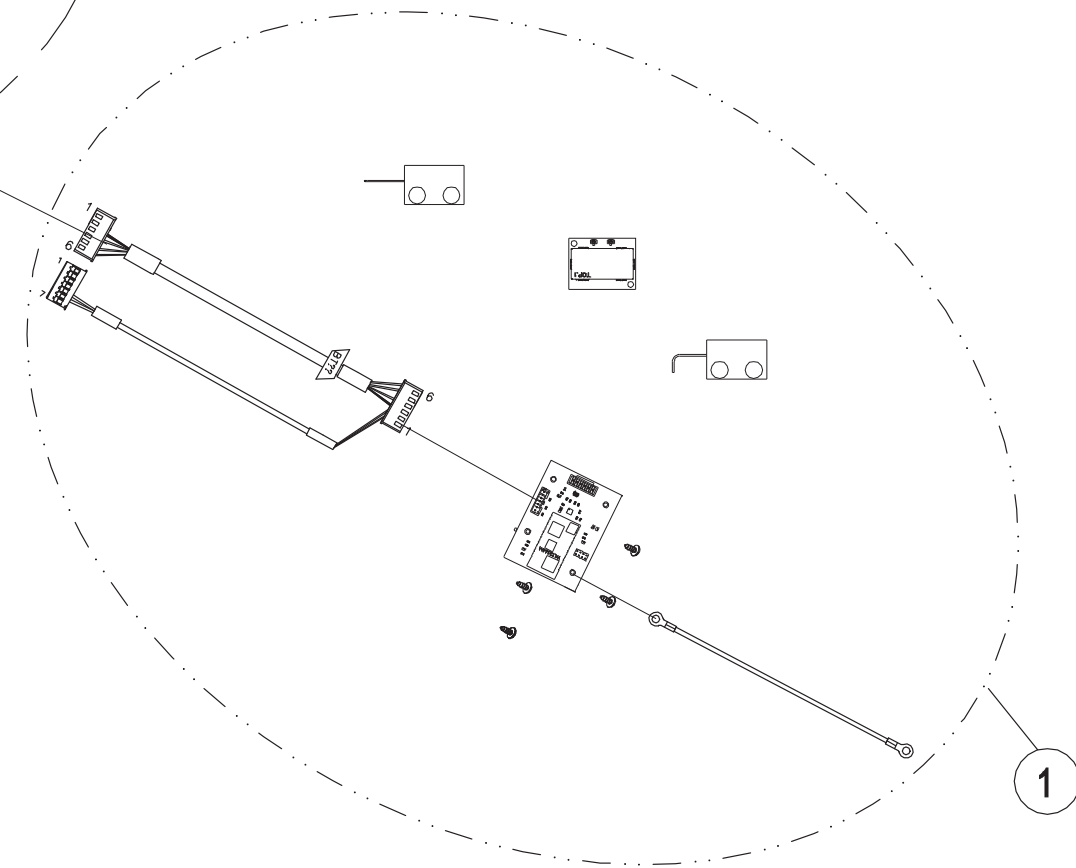
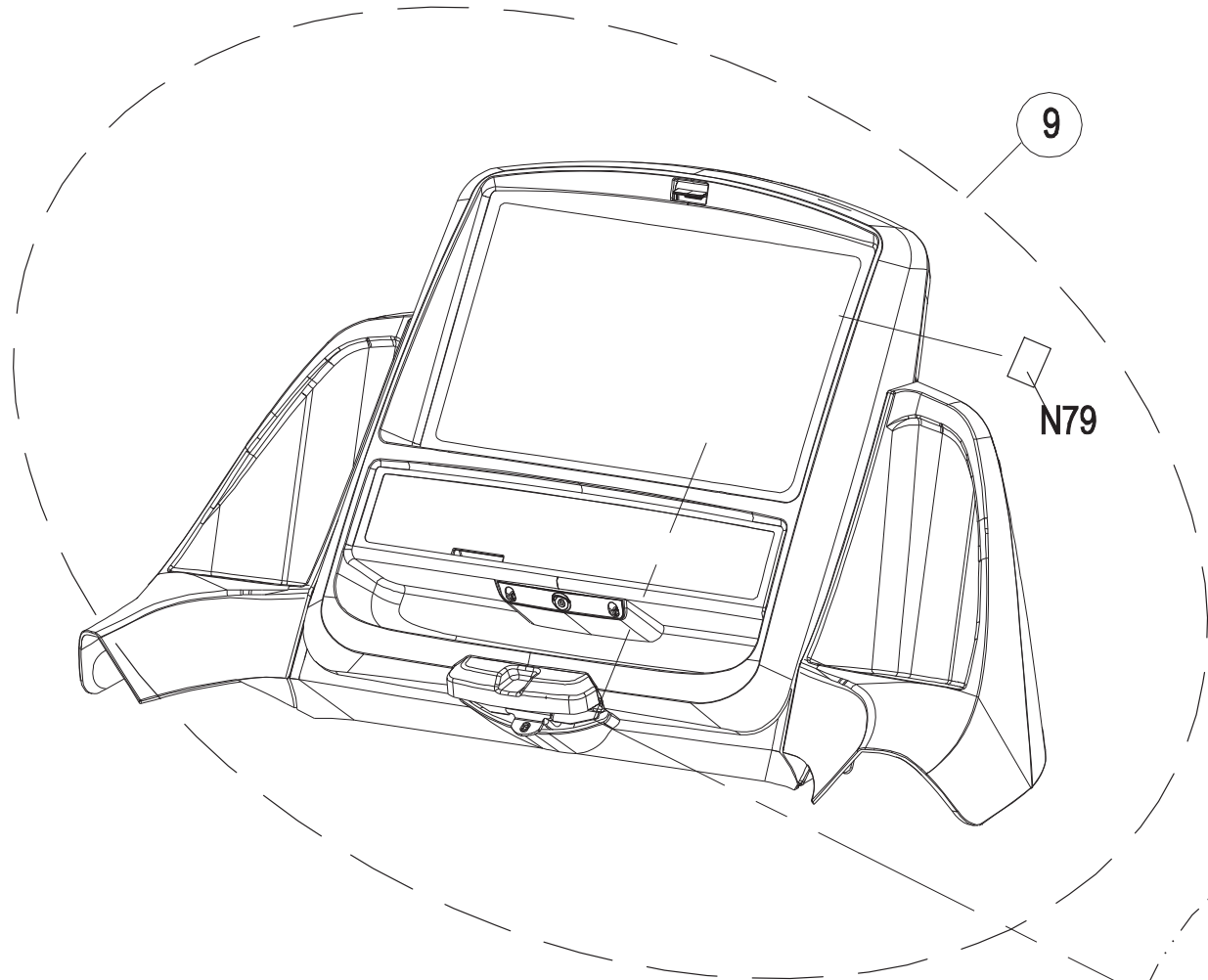
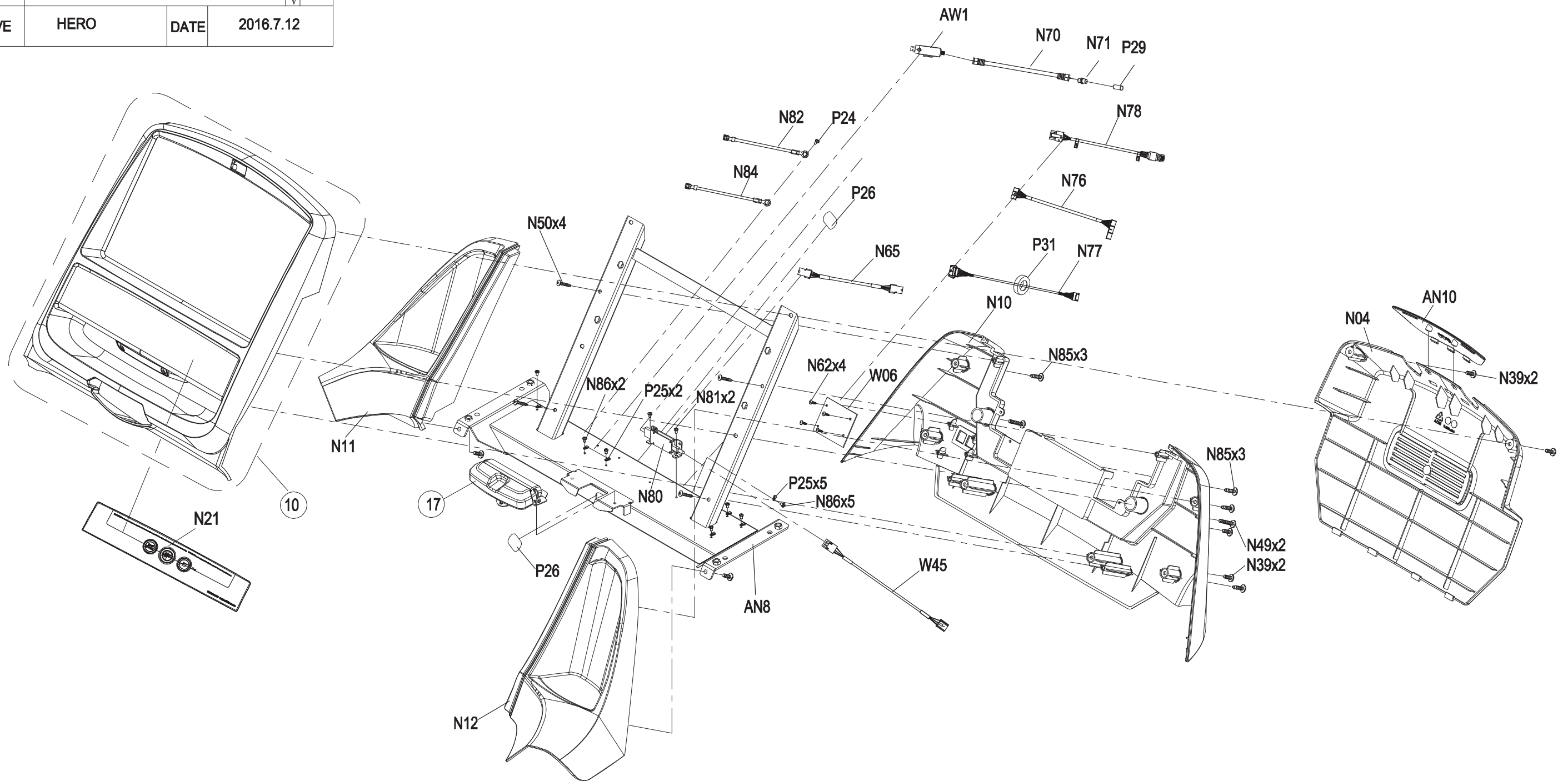


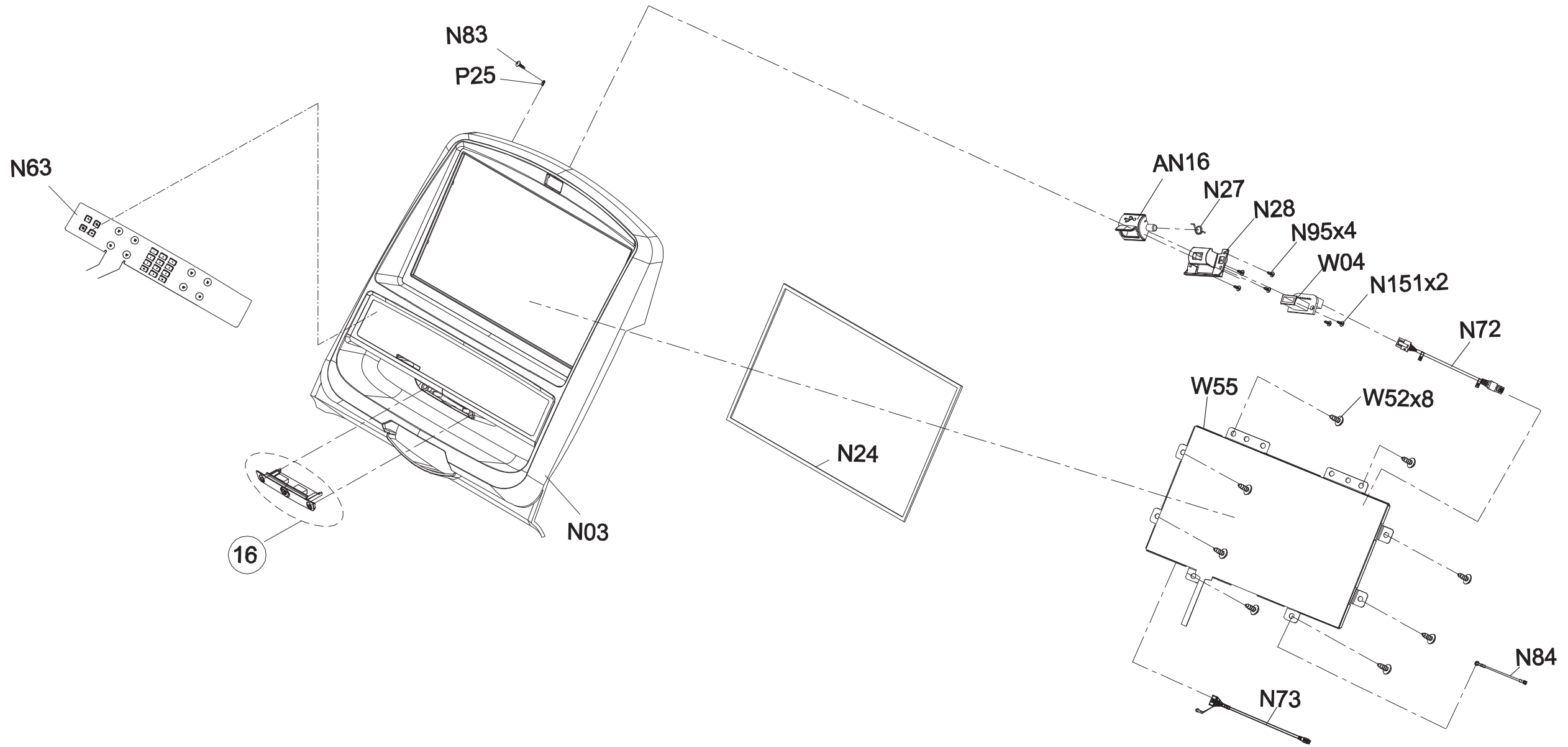
DRAWING NO	PTM708-1US-C		
PART NAME	Explosive Rendering		
PART NO	MTM0536-00	REV	A
APPROVE	HERO	DATE	2016.7.12



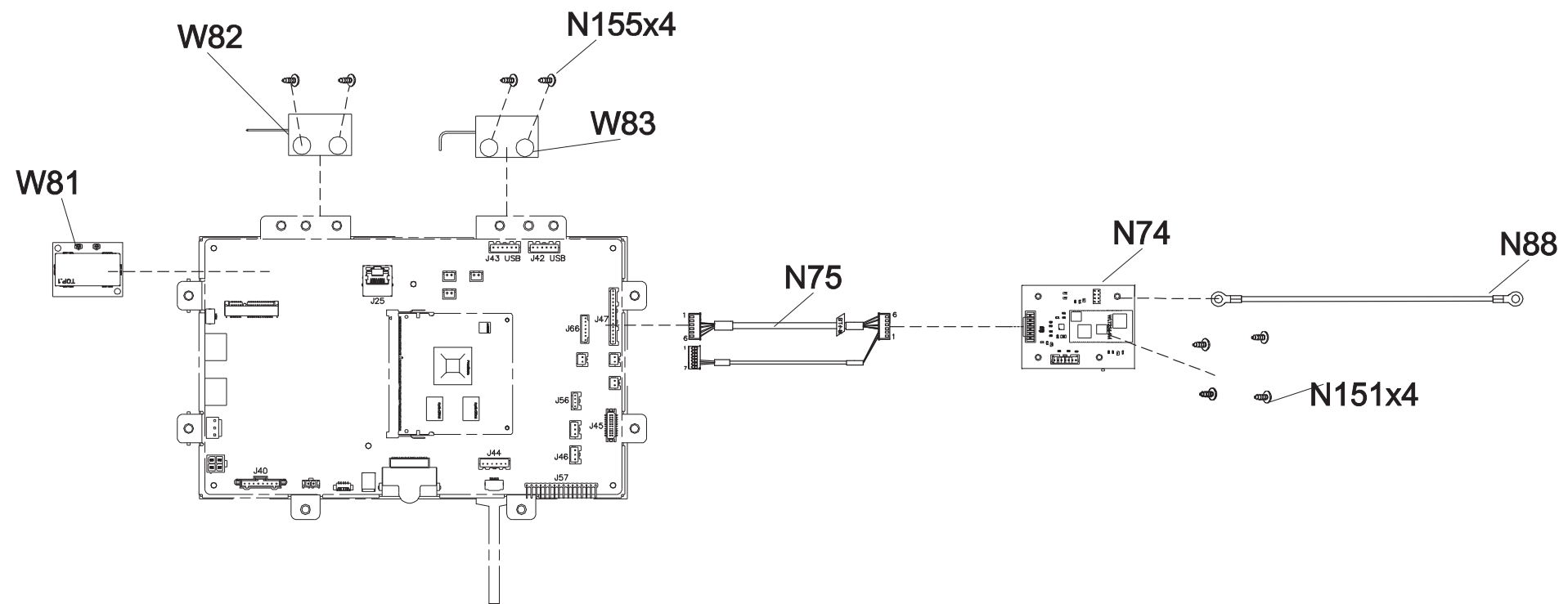
DRAWING NO	TM708-AN34		
PART NAME	Console Set		
PART NO	1000365253	REV	A
APPROVE	HERO	DATE	2016.7.12



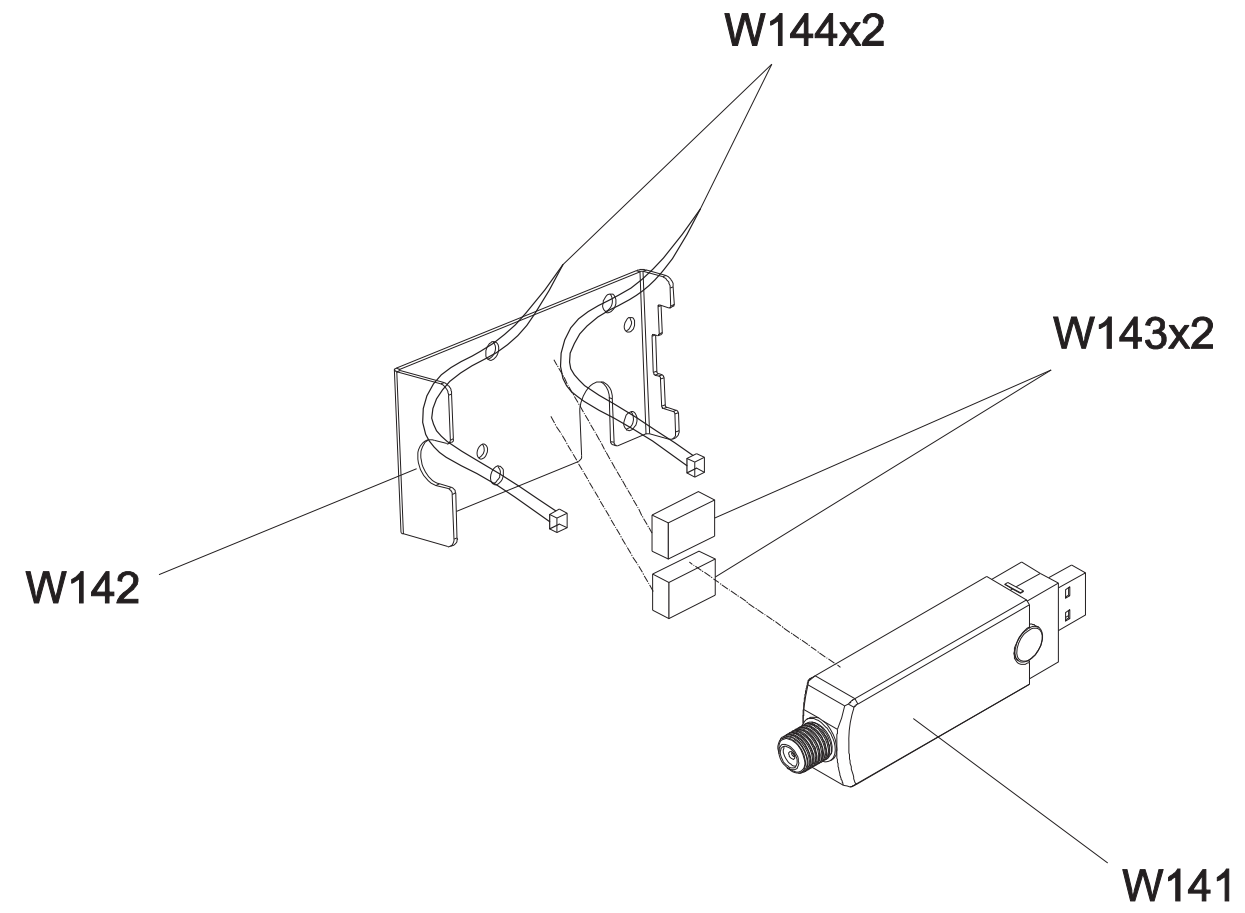
DRAWING NO	TM708-AN6		
PART NAME	Console Cover Set		
PART NO	1000369147	REV	A
APPROVE	Drgon Long	DATE	2016.5.31



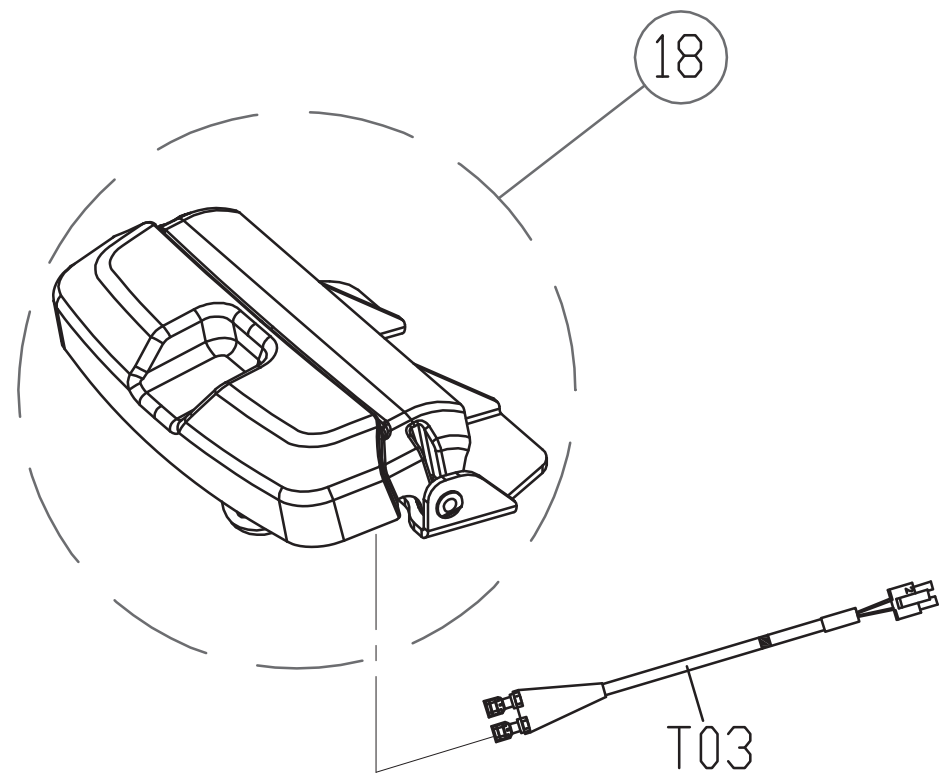
DRAWING NO	TM708-AW72		
PART NAME	control Set		
PART NO	1000389778	REV	A
APPROVE	Dragon Long	DATE	2016.5.31



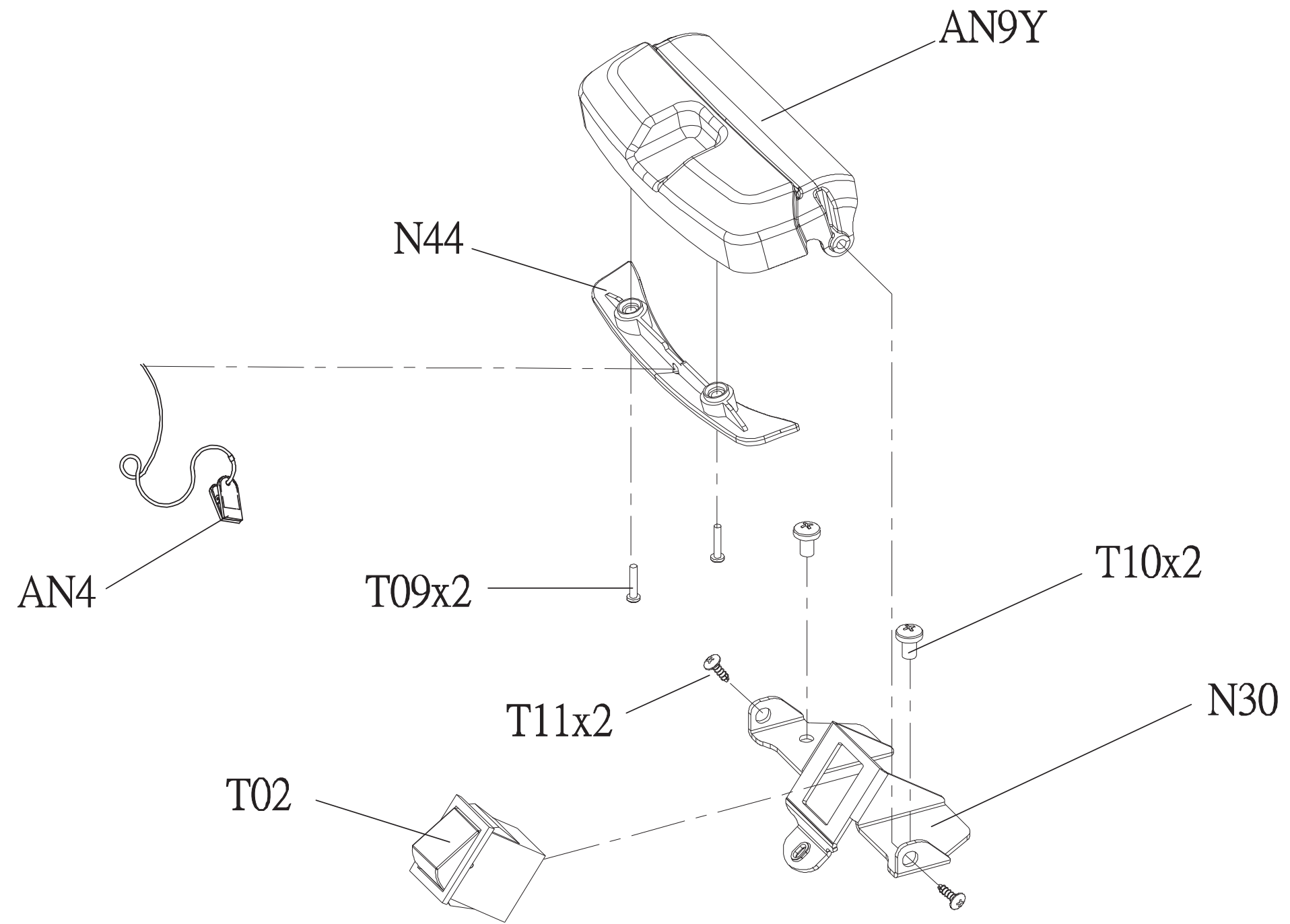
DRAWING NO	EP614C-AW51		
PART NAME	TV STICK SET		
PART NO	1000356574	REV	C
APPROVE	Dragon Long	DATE	2016.6.20



DRAWING NO	TM522-AT1		
PART NAME	Soft Switch Set		
PART NO	1000231006 ^R _E A		
APPROVE	Kyle	DATE	061112

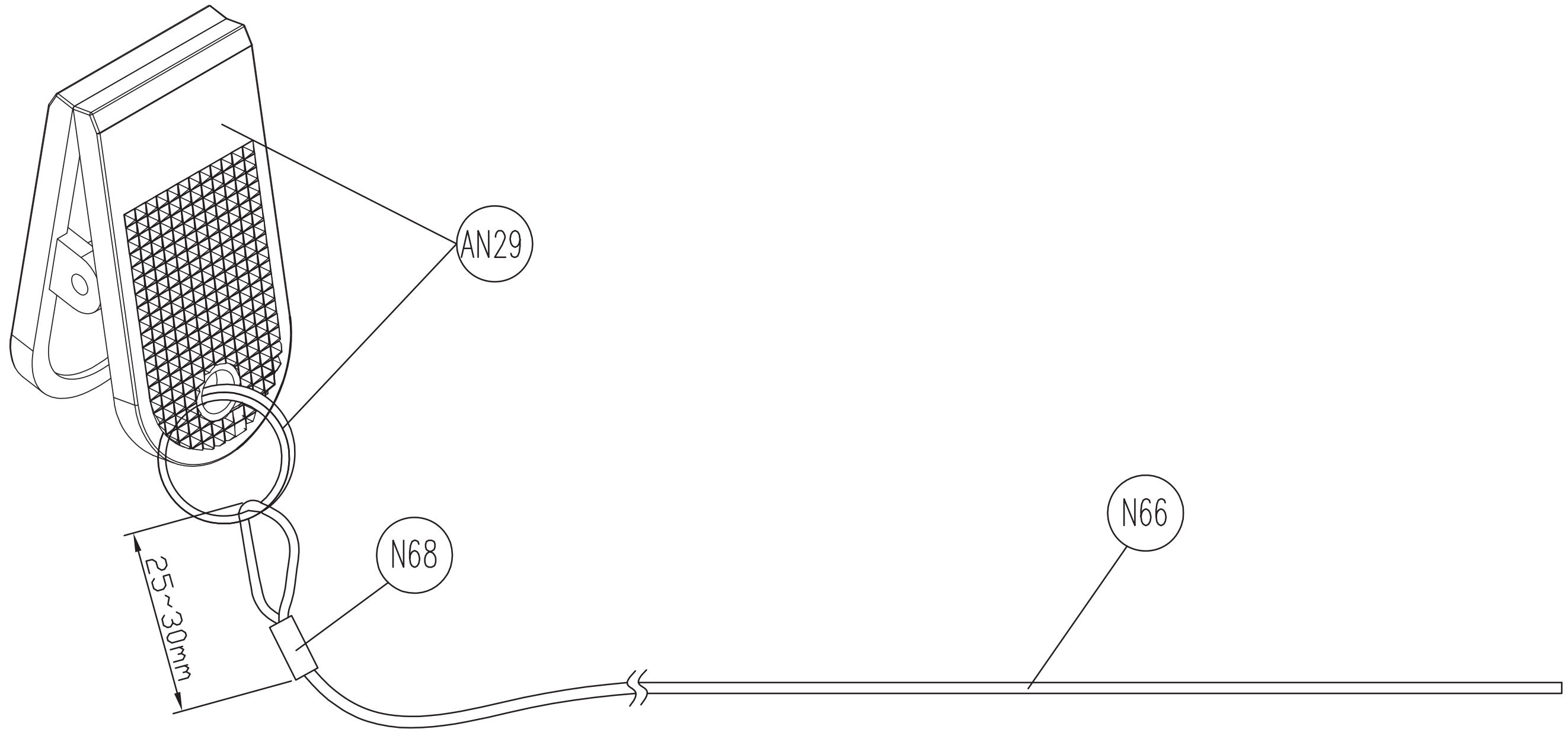


DRAWING NO	TM522-AT11		
PART NAME	Switch Set; Emergency		
PART NO	1000300535	REV	C
APPROVE	Drgon Long	DATE	2016.2.22

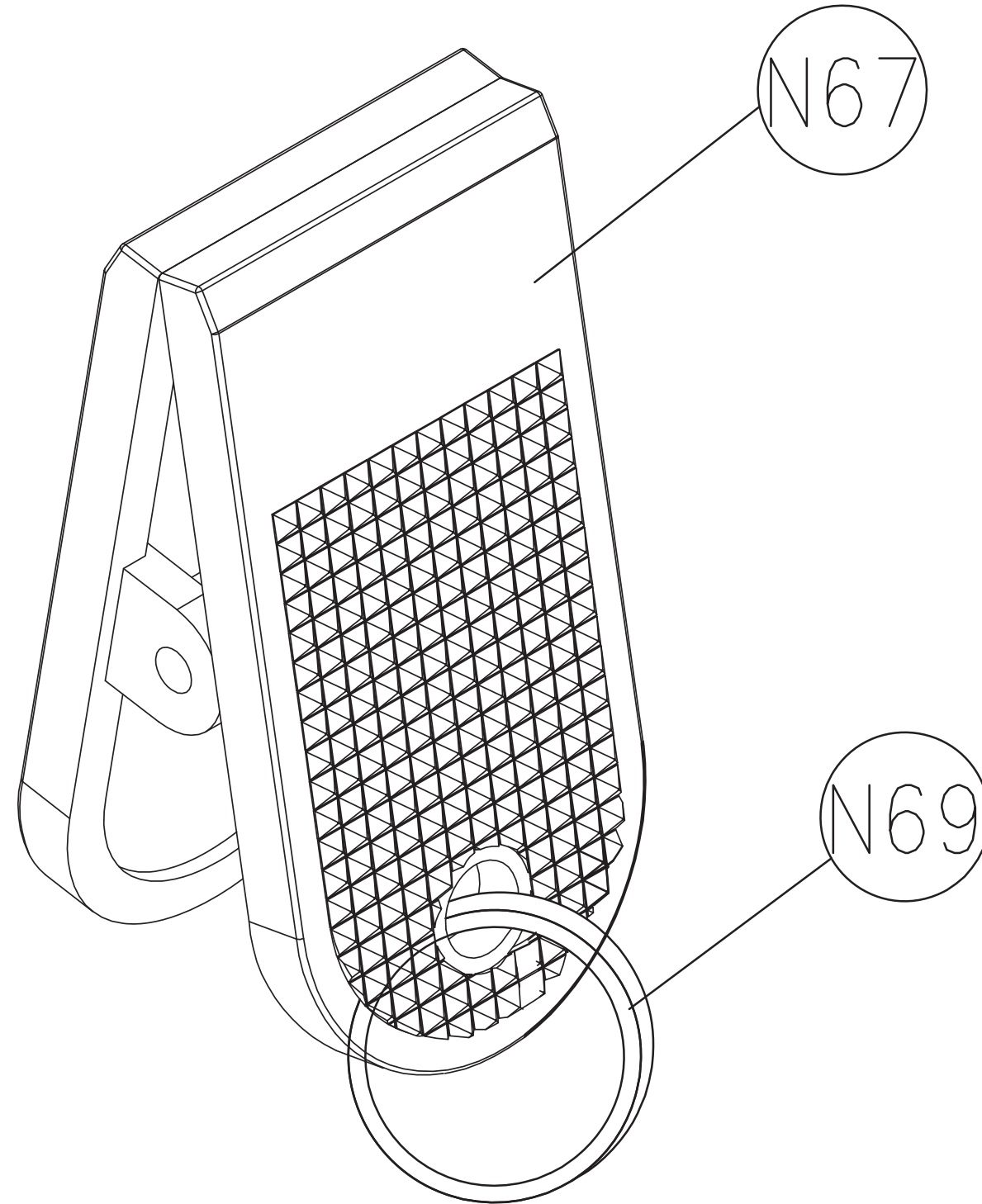


DRAWING NO	TM501-AN13		
PART NAME	Safety Switch Set		
PART NO	1000231246REV B		
APPROVE	SHUYI	DATE	070813

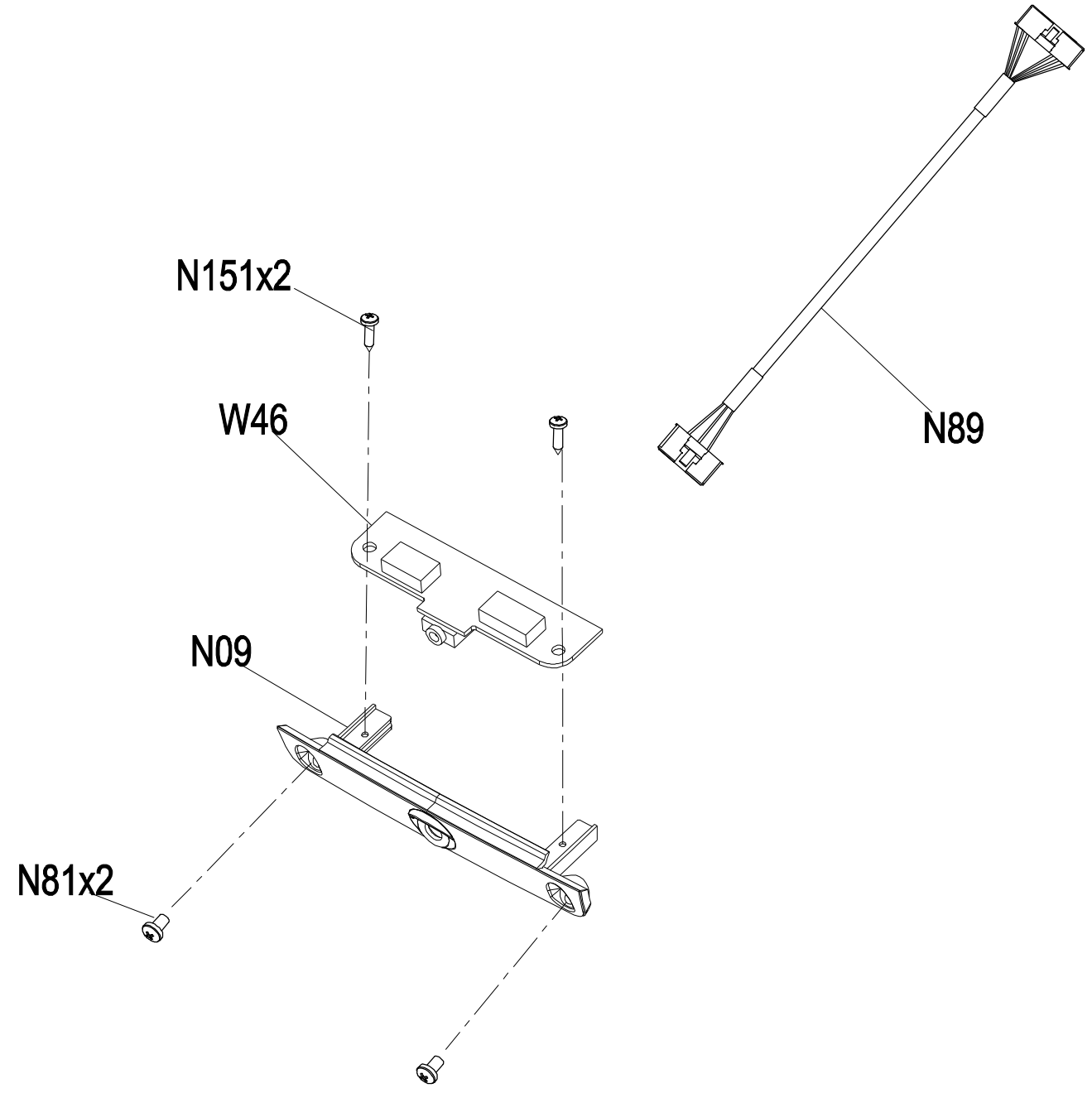
備註: 組裝後總長度(含夾子/鑰匙圈)860~870mm
Note: Length of assembly(Chip/Key ring)860~870mm



DRAWING NO	TM501-AN29		
PART NAME	Safety Switch Clip Set		
PART NO	1000231247 ^R _E A		
APPROVE	S.T.C	DATE	032612



DRAWING NO	TM708-AN8		
PART NAME	EARPHONE FIXING COVER SET		
PART NO	1000377519	REV	A
APPROVE	Long yun bo	DATE	2016.5.31



Bubble#	OEM Number	Description	Notes
1	1000389778	Control set T-1XE3XE3XH-07-C	
10	1000369147	Console Cover Set up English TM708	Ask a Team Lead to confirm the correct part number before ordering.
16	1000377519	Earphone Cover Set MH T1XE-06-C TM708	
17	1000231006	Safety Key Set T-1x-03-C	
18	1000231006	Safety Key Set T-1x-03-C	
AN10	0000086724	Cover Console Display TV Rack Printing T	
AN16	1000348670	cover-Extrawork USB Print EP619	
AN4	1000352475	Switch Clip Set Safety Red	Discontinued
AN4	1000352475	Switch Clip Set Safety Red	
AN9Y	1000345203	Safety Key Cover-Extrawork upper coverr	
N03	1000373873	Console Faceplate PC 510 Gray/80435 T	
N04	1000229245	Repair Cover Console - ABS/PA746 SL/GY/8	
N09	0000089506	TV Earphone Wire Cover ABS/PA746 80435	Order Kit
N10	1000231624	Console Cover,back,ABS 746,SL/GY,80547,T	
N11	1000231625	Console Cover,Kettle Rack,left,ABS 746,S	
N12	1000231626	Console Cover,Kettle Rack,right,ABS 746,	
N151	008864-A	Screw Special Round 2.9x1.06Px7L(Hi-Lo)	
N155	004627-00	Screw Phillip BH Tapped 5x12L	
N21	1000366928	Manipulate Overlay Down English TM708	
N24	1000432070	Rubber Pad Water Proof EVA Foam TM708	
N27	1000348672	Torsional Spring SUS304 EP619	
N28	1000348673	Fixing Block USB ABS PA746 Gray/80435	
N30	0000085980	Fix Plate Emergency SPHC 1.6t BED TM501	
N39	1000228688	SCREW BH M5X0.8PX12L PH BAN	
N44	0000086072	Cover Safety Key Down ABS/PA746 1797C TM501	
N49	1000376066	Screw Round Head M5X0.8PX30L Phillip Ca	
N50	1000231688	SCREW BH 5x1.6Px35L(HI-LO) PH BZN	
N62	008864-A	Screw Special Round 2.9x1.06Px7L(Hi-Lo)	
N63	1000231561	Key,TV,1,24Keys/PET/0.125T,T-1xe/3xe-04-	
N65	1000229262	Grip Sensor 300+550mm (TKP,2510A-06+TKP,	
N70	1000229263	TV Signal 1700 (FM-0086-NBG7)x2	
N71	065248-A	TV Coax Adaptor Female F-A028-NBX7-C	

N72	1000378326	USB Wire 350(JST,XAP-06V-1+TKP,H2O
N73	1000354654	TUNER CONTROL WIRE 300(UAB A TYPE-
N74	1000351780	Control Board General HEPE V4.0 AVRCP1
N75	1000369067	USB Wire 24AWG+28AWG 450mm Blue Too
N76	1000231012	C-SAFE+CARDIO Wire 300+200(TKP,H2OJ2-15
N77	1000229265	COMM Wire Digital 2100(MOLEX,50-70-9408x
N78	1000231025	WIRE SIGNAL CABLE SET 1900(TKP,H6630P1-
N79	1000369139	Memory card set TF 32G CLASS10 MH T1xe
N80	1000229074	Heart rate receiver,RF HR,Salutron 8600,
N81	0000088743	Screw TRH M3x.5Px6L MT PH CST ZNC F-T
N82	0000091827	Filter Ground Wire 300L KST FDFNYD2-250
N83	004620-AC	SCREW BH Diam.4X12L SM PH ZN POT
N84	1000229267	Wire GND Pulse Board 150(KST,MDFNYD2-250
N85	1000231078	SCREW BH ?X5X1.6PX12L(HI-LO) PH BZN
N86	0000089082	Screw Flange Tapped 3x6L Ground Wire Lower Board to Frame 200(4.2-5.0)
N88	102733	16AWG GN/YL
N89	1000374781	Earohone 400(TKP,H2OJ2-09+JST,PAP-
N95	020005-00	Screw Phillip Round M3x6L Zn-BL
Not Shown	1000388338	Manual Console English T1x_T3x_T1xe_T3x
Not Shown	1000308733	Insert Assembly Manual English T1xe/T3
Not Shown	0000088231	Adaptor 97PS-024 TM501
P24	004370-00	Screw Phillip BH M5x0.8Px10L Zn-BL
P25	001682-00	Clip Tie Strap Hold Down HC-0L P
P29	0000093219	Jacket PVC A5X-03-F US EP79
P31	1000307041	Ferrite Choke Snap-Together FH36.0x13.0x
T02	0000084630	Safety Switch R13-69 TM501
T03	1000231004	WIRE CONNECT 400(250X2 6630R1) T-1x-03-C
T09	004614-00	Screw BH 3X10L SM PH BAN POT
T10	004376-00	Screw BH M5X0.8PX8L CT PH BZN
T11	0000093244	Screw Phillip BH Tapped 4x8L Zn-BL
W04	1000226494	Control Board USB Extra-work H001 TM52

This memory card has Virtual Active files.

Power Board (see "TV Requires Additional Power Board" in Service Bulletins). Only used on CTM708 consoles that have RFID.

W06	1000228682	Control Board C-SAFE H001 NA TM519	
W141	1000393224	TV Stick Set US / KITS - SBOM EP620	Avermedia tuner only order fixing plate W142 separately.
W142	1000356656	Fixing Plate TV Tuner Zinc Plate TM52	
W143	1000204284	TAPE FOAM SINGLESIDE 15x30x4T	
W144	005811-00	Cable Tie Nylon Black 160L	
W144	005811-00	Cable Tie Nylon Black 160L	Discontinued
W45	1000374780	H/P 320(TKP,H2510A-03N+JST,XAP-03V	
W46	1000348689	Earphone board U138A3/H001 EP621	Entertainment See Entertainment Master on TV product page. Only send this part if the customer has the upgraded, 9-pin connecting wire and the 4-pin connect board. See service bulletin "Earphone Board Update".
W52	1000231078	SCREW BH ?X5X1.6PX12L(HI-LO) PH BZN Control Board Module 15.6 inch MSI MX - <mark>REFURB PART AVAILABLE: *Click here to open Refurb Parts List*</mark>	
W55	1000366460	List*</mark>	
10	ZMD4006373	Console Bx, T3XH console (modified)	
10	ZMD4006374	Console Bx, T3XH WIFI (Modified)	
10	ZMD4006375	Console Bx, T3XH 10PK VA (modified)	
9	1000365253	Console set English TM708-1US T-1XE3X	Confirm if customer has 900 MHz or MYE TV. If so, see Entertainment Master for additional parts.
AN29	1000231247	Safety Switch Clip Set BL(Include Ring)	
AN8	1000366730	Console Base Set Semi-Assy TM522-AN8	
N66	1000231249	Safety switch line f3x785L BL	
W141	1000337334	Tuner	
W141	1000337334	Tuner Module TV Hybrid USB dongle/H8370	
W81	1000379212	WiFi MS-57423 Ver0B EP625	Order kit 1000389778 instead.
W82	1000397208	WIFI Aerial Wire Left 120(IPEX+MS-5	Order kit 1000389778 instead.
W83	1000397209	WIFI Aerial Wire Right 270(IPEX+MS-	Order kit 1000389778 instead.

18	1000300535	Safety Key Set TM522	Discontinued
AN4	1000231246	Safety Switch Set BL Rope TM501-1US TM50	Discontinued - Discontinued
AW1	1000356574	TV Stick Set H837O EP614C	See W141
N67	001975-00	Switch Clip Safety Black TM06	Discontinued - Discontinued
N68	001676-00	Wire Buckle TM06	Discontinued - Discontinued
		Key ring 19 CHM Outside Purchase \\ D/C, NO REPL:	
N69	1000231248	Part will show as orderable until stock is depleted.	Discontinued - Discontinued
P26	001597-A	GROMMET NYLON WHT	Discontinued - Discontinued
W144	005815-00	Cable Tie Nylon 160 BL KSS CV-160L	Discontinued - Discontinued